

AgroMach

Symbol of quality and trust



Get your
**BUSINESS
2X**
with our Hi-Tech Machines
in 6 months

Agromach Engineering Pvt. Ltd. was established in August 2007 and in year 2008 we started manufacturing food processing machines under the Brand name "Agromach".

Our aim is to provide extraordinary solutions for all food / seed processing industries (Rice mill, Daal mill, Seed Processor Plant), offering a comprehensive range of innovative products, thereby providing complete customer satisfaction through quality. Our mission is to expand our presence in the entire world with our best quality products and customer satisfaction.

Our Infrastructure

Land Area 25,000 Sq. Feet

Machineries

Plant & Machineries

- CNC Turret Punch Press (EM 2510 N-44 Station), Japan
- CNC Bending Machine (RG-80-2.5M Bed Size), Japan
- Laser Machine
- Utilities
Compressor - U.P.S., Generator (125KV)
- Fabrication Machineries
- Mig Welding Machines
- Spot Welding Machines
- Profile Cutting Machines
- Drill Machines
- Powder Coating Plant with Shot Blasting
- Complete In House Processing
- Testing and control activities at every stage of production
- In House Store of Buffer Stock for Raw Material & Finished Goods.



Amada Hydraulic Press Bending Machine



Amada Turret Press Punch Machine -25T



Laser Machine



Drill & Tapping Machine



Lathe Machine



Bending Machine Hindustan Hydraulics



Spot Welding Machine



Powder Coating



Surface Grinder

We maintain the Quality Management System as per International Standard ISO 9001 : 2015 and ISO 14001 : 2015

ON TIME DELIVERY

REDUCTION IN CUSTOMER COMPLAINT

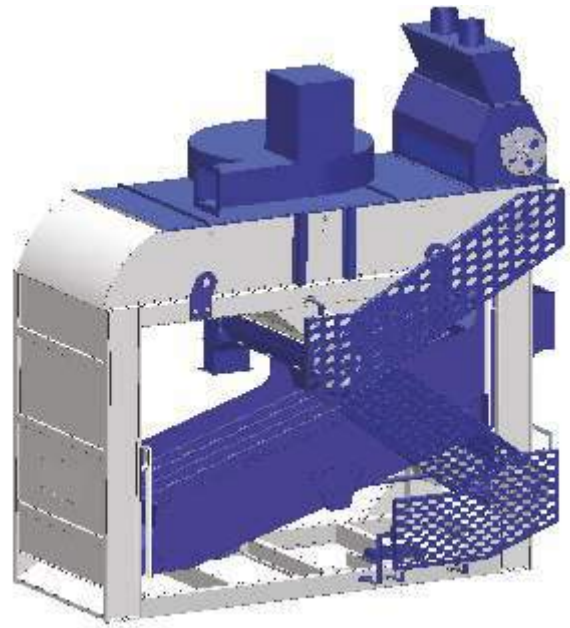
REDUCTION IN REJECTION

TO IMPROVE THE BUSINESS



PROMPT CUSTOMER SERVICE & CUSTOMER SATISFACTION

Seed Pre Cleaner



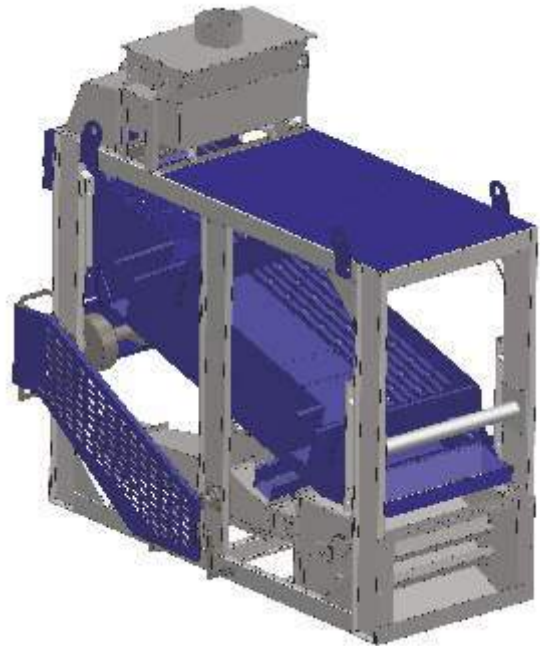
Main Features :

- All sheet metal components are fabricated Using CNC machine (Amada Japan).
- Three screen layers are used which ensures better cleaning of seeds/grains.
- It is made up of abrasion resistant durable material.
- Bouncing rubber ball mechanism ensures effective screen cleaning.
- Seeds/grains are separated in 5 different categories i.e. Impurities are collected in 4 different places while cleaned and graded seed at fifth place.
- Less maintenance is required as machine has a stable structure.
- Smooth finishing of machine along with compact design results in high cleaning efficiency.
- Low cost of cleaning seeds as power consumption is relatively low.
- Low Noise pollution as machine creates less noise.
- Suitable cleaners can be made on order according to the specific requirement of customer.

Specifications :

Capacity (on wheat basis)	1 Ton/hr	2Tons/hr	4-5 Tons/hr
Blower Motor	2HP	5HP	5HP
Sieve Boat Motor	1HP	1.5HP	1.5HP
Top Screen (L x B in mm) Approx	825 x 595mm, 1 No.	1000 x 600mm,1 No.	1000 x 800mm, 1 No.
Middle Screen (L x B in mm) Approx	640 x 595mm, 2 No.	1000 x 600mm, 2 No.	1000 x 800mm, 2 No.
Bottom Screen (L x B in mm) Approx	790 x 595mm, 2 No.	1000 x 600mm, 2 No.	1000 x 800mm, 2 No.

Seed Fine Cleaner (Grader)



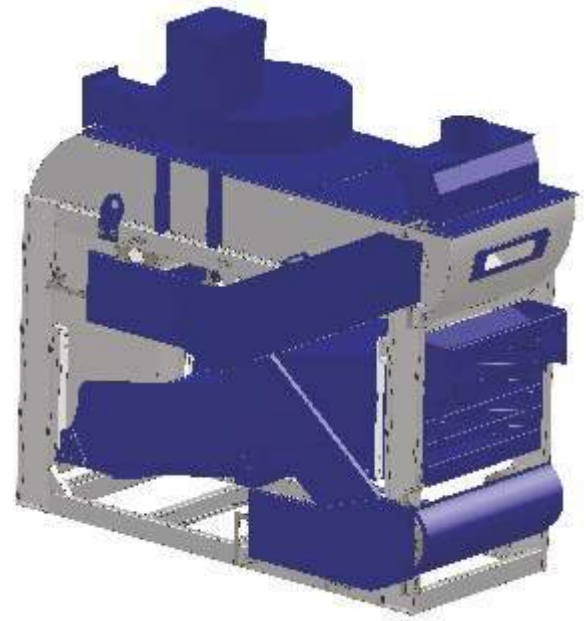
Main Features :

- All sheet metal components are fabricated Using CNC machine (Amada Japan).
- Three screen layers are used which ensures better cleaning of seeds/grains.
- It is made up of abrasion resistant durable material.
- Bouncing rubber ball mechanism ensures effective screen cleaning.
- Seeds/grains are separated in 5 different categories i.e. Impurities are collected in 4 different places while cleaned and graded seed at fifth place.
- Less maintenance is required as machine has a stable structure.
- Smooth finishing of machine along with compact design results in high cleaning efficiency.
- Low cost of cleaning seeds as power consumption is relatively low.
- Low Noise pollution as machine creates less noise.
- Suitable cleaners can be made on order according to the specific requirement of customer.

Specifications :

Capacity (on wheat basis)	1 Ton/hr	2Tons/hr	4-5 Tons/hr
Blower Motor	3HP	5HP	7.5HP
Sieve Boat Motor	1HP	1.5HP	2HP
Top Screen (L x B in mm) Approx	700 x 515 mm, 1 No.	800 x 800mm,1 No.	800 x 1250mm, 1 No.
Middle Screen (L x B in mm) Approx	700 x 515 mm, 3 No.	800 x 800mm, 3 No.	800 x 1250mm, 3 No.
Bottom Screen (L x B in mm) Approx	700 x 515 mm, 3 No.	800 x 800mm, 3 No.	800 x 1250mm, 3 No.

Seed Grader (Fine Cleaner Type)



Main Features :

- All sheet metal components are fabricated Using CNC machine (Amada Japan).
- Three screen layers are used which ensures better cleaning of seeds/grains.
- It is made up of abrasion resistant durable material.
- Bouncing rubber ball mechanism ensures effective screen cleaning.
- Seeds/grains are separated in 5 different categories i.e. Impurities are collected in 4 different places while cleaned and graded seed at fifth place.
- Less maintenance is required as machine has a stable structure.
- **Suitable cleaners can be made on order according to the specific requirement of customer.**

Specifications :

- The capacity of the machine is on wheat Basis at 12% moisture and 20% impurities approx.
- Top Screen : 80x150cm (L x B in mm) - 1 No. GI/S.S. 1mm- Screen punching in CNC machine.
- Middle Screen : 80x150cm (L x B in mm) - 3 parts.GI/S.S. 1mm- Screen punching in CNC machine & interchangeable.
- Bottom Screen : 80x150cm (L x B in mm) - 3 parts.GI/S.S. 1mm- Screen punching in CNC machine & interchangeable.
- Seed Travel Length : 5.6m-Screen punching in CNC machine.
- Total screen area : 8.2 m²-Screen punching in CNC machine.
- Input Capacity : 5 Ton/Hr.
- Fan Motor : 7.5 HP.3Phase,440 V
ABB/Cromptonor/Siemens.
- Sieve Boat Motor : 02 HP.3Phase,440 V
ABB/Cromptonor/Siemens.
- Sieve Boat Construction : Compressed Seasoned steel.
- Bottom frame MS channel for Structural Stability : 20.8 x 6 x 0.3cm
- No. of Aspirations : 02 Nos, pre & post aspiration fan for raw seed and good seed respectively.
- Bearing Make : NTN /SKF
- Deck Oscillation : 300-325
- Slope of Deck Screen :Slope of Top Screen 4°;Slope of Middle Screen 6°, Slope of Bottom Screen 6°
- Air Volume : 8000 CMH
- Outer Construction : Powder Coating Steel.
- Supply : 440V, 3 Phase AC.
- Motors : 3 Φ , 440V, 7.5HP for Motors and 2 HP Sieve boat Motor.
ABB/Cromptonor/Siemens.

Additional Sieves made of GI/S.S. provided for 5 different crops.

Additional set of screens can be made available as per requirement of the customer.

Gravity Separator



Main Features :

- All sheet metal components are fabricated Using CNC machine (Amada Japan).
- Smooth finishing of machine along with compact design.
- Rectangular deck is easily interchangeable depending upon variety of crops.
- Adjustable inclination of deck laterally and longitudinally.
- Regulated eccentric speed useful for different type of seeds.
- Higher volume of air for better separation of seeds.
- Deck can be adjustable laterally and longitudinally.
- Seeds/grains are separated in 5 different categories i.e. Impurities are collected in 4 different places while cleaned and graded seed at fifth place.

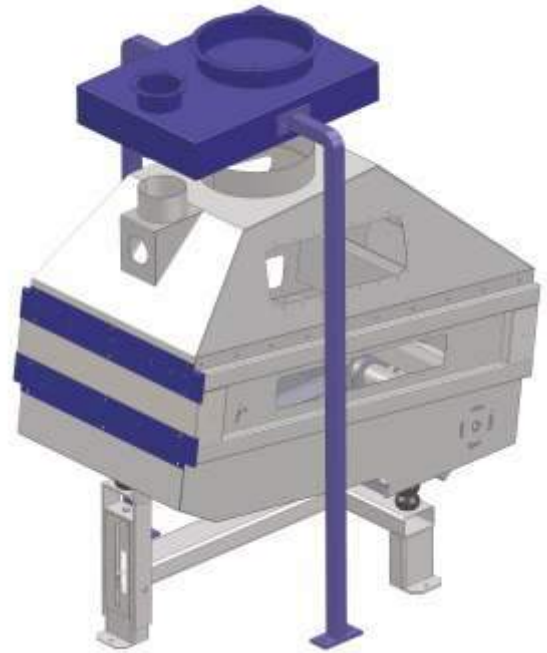
Specifications :

Capacity on wheat basis	1 Ton/hr	2Tons/hr	4-5 Tons/hr
No. of Fans used	3	5	7
Electric Drive	5 HP +1.5 HP	7.5 HP + 2 HP	10 HP + 3 HP
Deck Size in mm	800 x 1580	1055 x 2340	1200 x 3000

Destoner

Main Features :

It is used for removing stones, metals, glass and other high-density impurities etc from the seeds and grains. It consists of vibratory deck where seeds/grains are fed uniformly through hopper. Air stream is passed thru deck which separates the seeds or grains of different densities from the average weight good grain. So good grain is separated and collected while stones are separated. Capacity of the machine depends upon the impurity in the seeds/grains.



Specifications :

Capacity (on wheat basis)	2-3 Ton/hr	4-5 Ton/hr	7-8 Ton/hr
Blower capacity	7.5HP	10HP	12.5HP
Motor rating	1HP	1HP	1HP
Vibration Motor	0.5HP- 2No.	0.5HP- 2No.	0.5HP- 2No.
Screen Width in mm	950mm	1050mm	1200mm

Magnetic Destoner

Avail top class collection of Magnetic Equipment, Magnetic Destoner, Hump Magnets along with premium service of Magnetic Equipment.

Product Type: Magnets

Size Range: 750 mm to 1500 mm

Weight: Approx 400 kg

Power Supply: Electric

Magnetic Category: Permanent Magnets

Colour: As per requirement





Indented Cylinder



Main Features :

- Main use of indent cylinder is separation of seeds/grains on the basis of length of grain or seed. Broken seeds are separated from whole seeds.
- Indented cylinder is used for separation of seeds/grain on the basis of length. For example separation of weed seeds from wheat or paddy seeds.
- The indented cylinder also separates broken seeds/grain from whole seeds/grain on the basis of length.
- Auger and trough are provided to collect and carry out broken or short length seeds easily.
- Fine trough adjustment for good separation.
- Different size of indents cylinder are available for different crops.

Specifications :

Capacity (wheat basis)	1 Ton/hr	2Tons/hr	4Tons/hr	
Motor (3 phase 440V)		01HP	02HP	03HP
Cut/Short Seeds Outlet		By auger	By auger	By auger

Seed Grader (Indented Type)



Main Features :

- Main use of indent cylinder is separation of seeds / grains on the basis of length of grain or seed. Broken seeds are separated from whole seeds.
- It is also used for the separation of weed seeds from wheat or paddy seeds.
- Fine trough adjustment is provided for good separation of seeds.
- Indents cylinders for different crops is different and it can be made available on request

Spiral Seed Grader

It is a set of two spiral fitted in one frame for higher output and easy operation. Bigger hopper facilitate more feeding. It may be used for cleaning and grading of any seed or product which is of some round shape.

Capacity	600 kg per hour
Size	7 ft Height
Automation Grade	Semi-Automatic
Brand	Agromach
Computerized	No
Material	Galvanised Sheet
Model	circuit of two
Number Of Scalping	6 disc
Power (Hp)	Automatic through gravity
Weight (Kilogram)	85 kg



Colour Sorter

Main Features :

- Colour Sorter machine is used for the separation of impurities from white rice on the basis of colour, shape or other optical properties, defective items and foreign material are identified and separated from the product stream.
- 10mm High quality extruded long life aluminium chute.
- Normal, simultaneous and reverse sorting modes.
- Pressure Sensor stops the machine if input air pressure is low.
- Periodic wiping to keep the viewing area clean.
- Complete machine usage data by print.
- Multiple User Access Level.
- Individual Component Test Utilities.



Z Type Bucket Elevator

Z type bucket elevators are slow speed elevators and is more useful for the sensitive seeds. Buckets are mounted on roller chain which is powered by a motor which conveys seed with a minimum impact on health of seeds. Z type elevators are used in place of VB elevators for delicate seeds like soyabean.

Swing type plastic or nylon buckets are used.

- Capacity: 2 to 10TPH on wheat basis.
- Drive motor with gearbox : 2 HP, 3 phase, 440V mounted with gear box.
- Overload protection is done by Torque limiter.



Vertical Bucket Elevator

Main Features :

It is relatively economical model and self cleaning type and it has centrifugal discharge belt for free flowing material. Better torque is obtained by using geared motor. Nylon/HDPE buckets are fixed on belt. Traction is improved by providing crowned wheel.

Capacity : .5 ton/hr to 15 ton/hr



Seed Treater

Seed treater is used for treating seeds with liquid fungicides and insecticides on the outer surface of seeds to avoid damage to the seeds. Seed treating eliminates contact to atmospheric pressure or chemical contact.

Seed treater consists of Seed mixing drum and pre-mix tank. Both seed mixing drum and premix tank are made of stainless steel. Agromach seed treater coats the seed uniformly. There is no damage to seeds or no seed is left untreated. Frequency of quantity of treater can be controlled by knob.

- Capacity: 100 Kg/Batch (Based on Wheat)
- Motor : ½ HP three phase, 1440 rpm
- Geared Motor : ¼ HP, 30 RPM, Single phase for Chemical Tank

Capacity of Chemical Tank : 20 litres.

Inclined Flight Belt Pocket Conveyor

- Suitable for Delicate seeds like soyabean, mustard and other sensitive seeds.
- Cleated belt with PU having side walls.
- Gear motor having gear box with a knob mounted on separate control panel
- Variation in speed can be controlled from the control panel.
- Capacity : 1 TPH. (on wheat basis)
- Height of feeder : 3ft. (approx)
- Capacity of feed hopper made up of mild steel : 50kg.
- Height of Discharge : around 2.8 meter.
- Control panel : Separate control panel with variable speed.
- 500 Kg./hr to 10 ton per hour.



Our Other Verticals

- Seed Plant
- Flour Plant
- Pulse Plant
- Cleaning & Grading Sections for all types of Grains and Spices
- Atta Chakki Plant
- Agriculture Lab Equipments

Some of our Installed Projects



Certifications



AgroMachTM
Symbol of quality and trust . . .

Agromach Engineering Pvt. Ltd.
Jajru Road Near Sector-59, Ballabgarh,
Faridabad, Haryana-121004, INDIA
Mobile : +91 8800899171, +91 99104 67273,
+91 8800899183
For Export Enquiry : +91 8287221819
E-mail : sales@agromachengineering.com
director@agromachengineering.com
export@agromachengineering.com

www.agromachengineering.com